



undici

PRODUCT MARKETING PLAN

1 group, 2 groups compact and 3 groups

Index



- **Design**
- **Dimensions**
- **Products range & codes**

Design



Design 1 group



Design 1 group Tall Cups



Design 2 Groups Compact



Availability in 3 colors: White, Black & Red
2 standard steam wands and water spout in the center with dosed button
Not available Tall Cups version

Design 3 Groups



Available in 3 different colors: White, Black & Red
Available in standard version

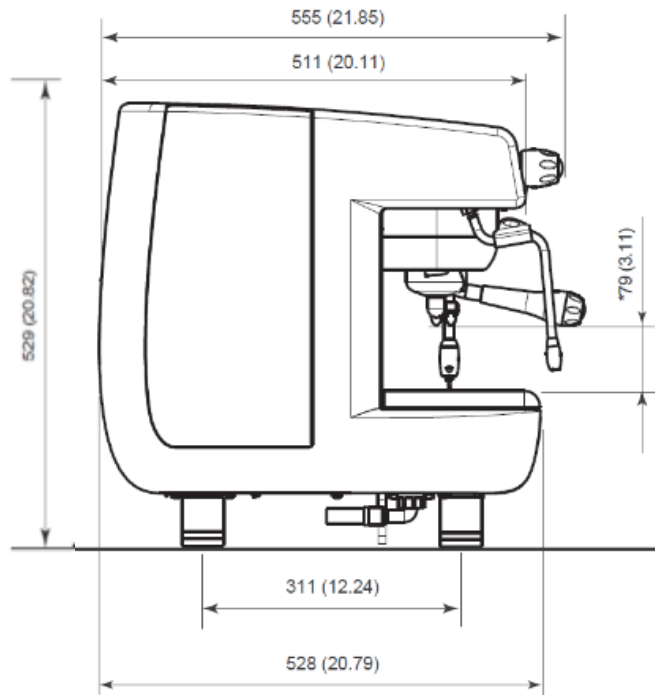
Design – Color



Dimensions



Dimensions 1 Group

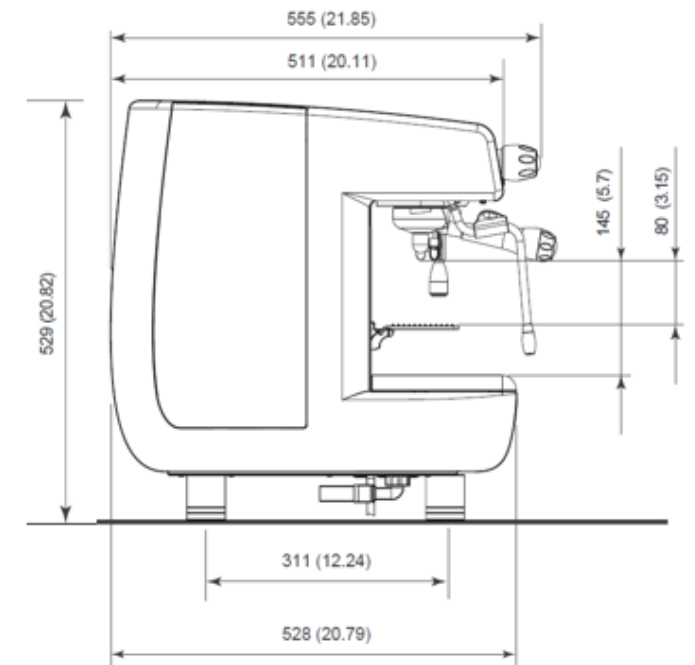


UNDICI 1 GR

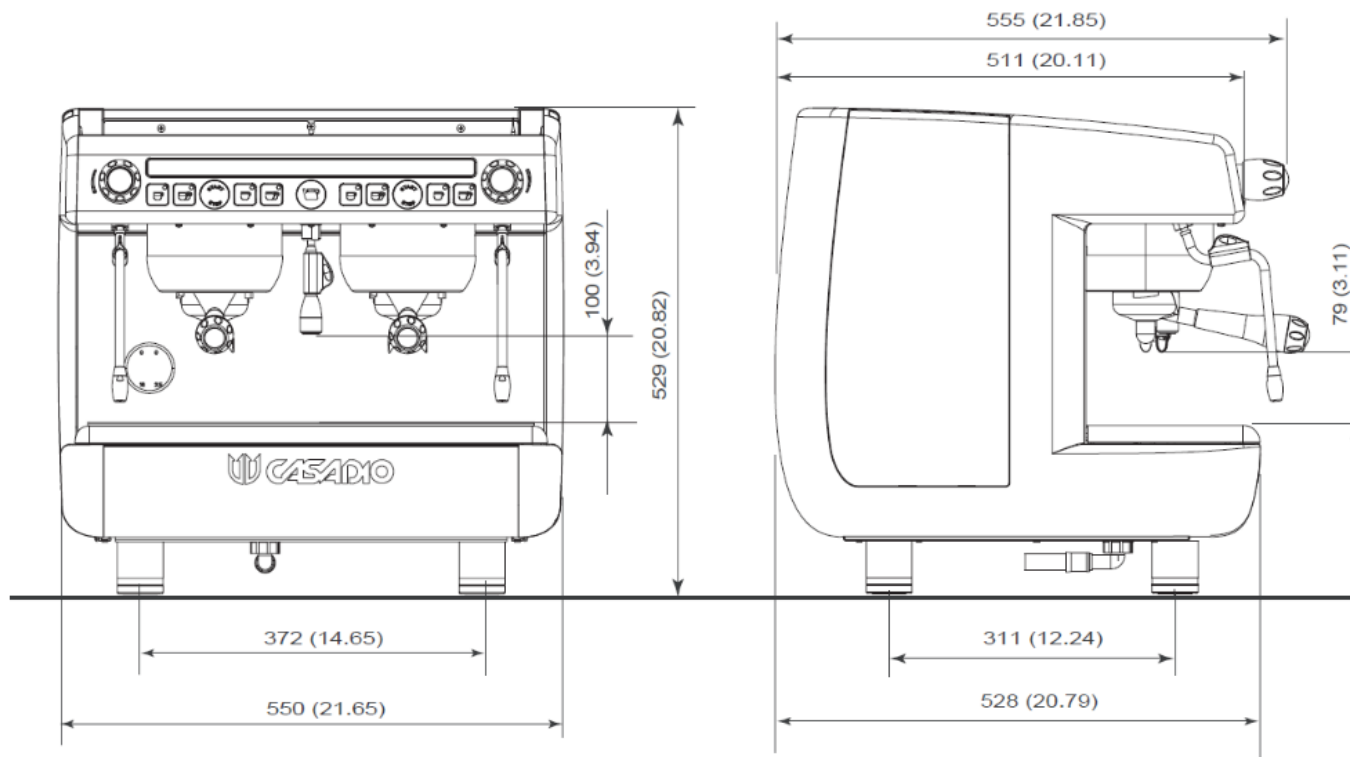
widht (mm)	depth (mm)	heigh (mm)	weight (kg)
436	528	529	37,5

UNDICI 1 GR TC

widht (mm)	depth (mm)	heigh (mm)	weight (kg)
436	528	529	37,5



Dimensions 2 Groups Compact

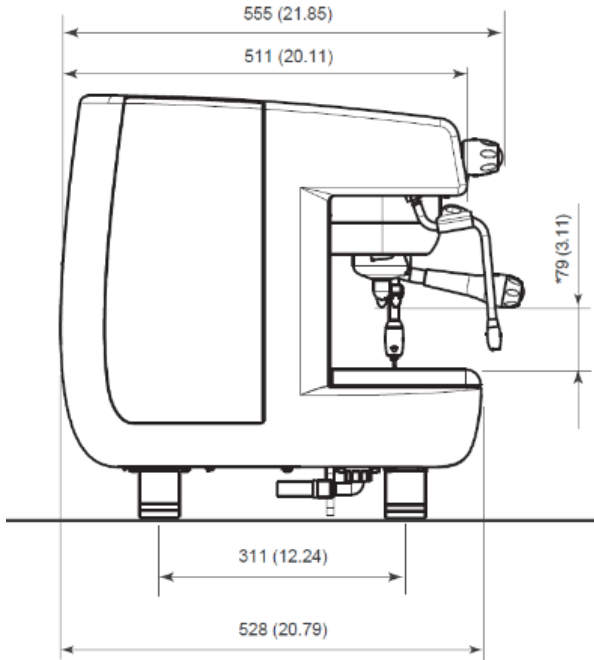


UNDICI 2 GR Compact

widht (mm)	depth (mm)	heigh (mm)	weight (kg)
716 550	528	529	50

550

Dimensions 3 Groups

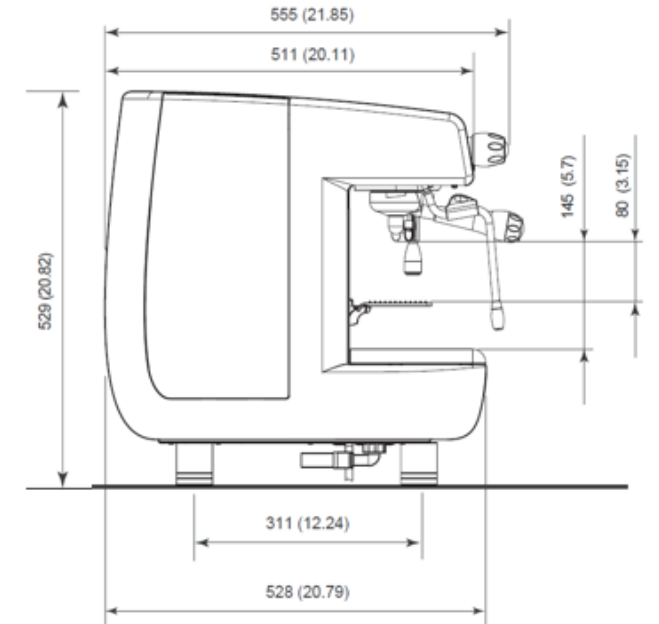


UNDICI 3 GR

widht (mm)	depth (mm)	heigh (mm)	weight (kg)
926	528	529	62

UNDICI 3 GR TC

widht (mm)	depth (mm)	heigh (mm)	weight (kg)
926	528	529	62



Varie

The boiler and heat exchangers are in copper.

	Capacity (l)	Power supply	Heating elements (W)	Power supply (W)
1 gr	5	Single phase 220-240V 50/60Hz	2700-3200 W	2800 - 3300
2 gr Compact	7	Single phase 220-240V 50/60Hz	2700-3200 W	2800 - 3300
3 gr	15	Three phase 380-415V3N 50/60Hz	5400	5600 - 6600

Range e Codes



UNDICI A1 & S1

Version A1 Single phase

UA130HWUZ999A UNDICI/A-1 50/60M WHITE

UA130HRUZ999A UNDICI/A-1 50/60M **RED**

UA130HBUZ999A UNDICI/A-1 50/60M **BLACK**

Version A1 Tall Cup Single phase

UA130HWUZDDAA UNDICI/A-1 50/60M TC WHITE

UA130HRUZDDAA UNDICI/A-1 50/60M TC **RED**

UA130HBUZDDAA UNDICI/A-1 50/60M TC **BLACK**

Version S1 Single phase

UA152HWUZ999A UNDICI/S-1 50/60M WHITE

UA152HRUZ999A UNDICI/S-1 50/60M **RED**

UA152HBUZ999A UNDICI/S-1 50/60M **BLACK**



UNDICI A2 Compact



Version A2 Compact Single phase

UC230HWUZ999A UNDICI COMPACT/A-2 50/60M WHITE

UC230HRUZ999A UNDICI COMPACT/A-2 50/60M **RED**

UC230HBUZ999A UNDICI COMPACT/A-2 50/60M **BLACK**



Codifica UNDICI A3 e S3

Version A3 Three phase

UA330HWUI999A UNDICI/A-3 50/60T WHITE

UA330HRUI999A UNDICI/A-3 50/60T **RED**

UA330HBUI999A UNDICI/A-3 50/60T **BLACK**

Version A3 Three phase Tall cup

UA330HWUIDDAA UNDICI/A-3 50/60T TC WHITE

UA330HRUIDDAA UNDICI/A-3 50/60T TC **RED**

UA330HBUIDDAA UNDICI/A-3 50/60T TC **BLACK**

Version S3 Three phase

UA352HWUI999A UNDICI/S-3 50/60T WHITE

UA352HRUI999A UNDICI/S-3 50/60T **RED**

UA352HBUI999A UNDICI/S-3 50/60T **BLACK**



UNDICI FULL RANGE USA-CANADA (cULus-NSF)

Version A1, A2 and A3

UA110HBBF999A UNDICI/A-1 NF CULUS 120V BLACK

UA110HBBFDDAA UNDICI/A-1 NF CULUS 120V TC BLACK

UA210HBBF999A UNDICI/A-2 NF CULUS 120V BLACK

UA210HBBT999A UNDICI/A-2 NF CULUS 208V BLACK

UA210HBBTDDAA UNDICI/A-2 NF CULUS 208V TC BLACK

UA310HBBT999A UNDICI/A-3 NF CULUS 208V BLACK

UA310HBBTDDAA UNDICI/A-3 NF CULUS 208V TC BLACK

Version A2 Compact

UC210HBBT999A UNDICI COMPACT/A-2 NF CULUS 208V BLACK

UC210HBBF999A UNDICI COMPACT/A-2 NF CULUS 120V BLACK



NOTE: All the codes will be available during the month of November 16

UNDICI COREA (KTL)

Versioni A1 e A2 monofase

UA130HWKZ999A UNDICI/A-1 (WHITE KTL 60M)

UA130HRKZ999A UNDICI/A-1 (**RED** KTL 60M)

UA130HBKZ999A UNDICI/A-1 (**BLACK** KTL 60M)

UA230HWKZ999A UNDICI/A-2 (WHITE KTL 60M)

UA230HRKZ999A UNDICI/A-2 (**RED** KTL 60M)

UA230HBKZ999A UNDICI/A-2 (**BLACK** KTL 60M)



UNDICI CHINA (CQC)

Versioni A1 monofase e Tall cup

UA130HWYZ999A UNDICI/A-1 CQC 50/60M WHITE

UA130HRYZ999A UNDICI/A-1 CQC 50/60M **RED**

UA130HBYZ999A UNDICI/A-1 CQC 50/60M **BLACK**

UA130HWYZDDAA UNDICI/A-1 CQC 50/60M TC WHITE

UA130HRYZDDAA UNDICI/A-1 CQC 50/60M TC **RED**

UA130HBYZDDAA UNDICI/A-1 CQC 50/60M TC **BLACK**

